



Product model: HS-AFS-R1-A

Product Name: Network Attached Storage

Function characteristics

- Support Docker containers to meet the needs of advanced users
- Support AI facial classification and OCR text image search function
- Support custom album, footprint, and home shared album functions
- Supports automatic backup of phone albums and contacts, freeing up phone space
- Support automatic backup of computer folders to achieve computer space expansion
- Supports automatic synchronization of computer and device files, enabling remote and lightweight work
- Support file sharing protocols such as SAMBA, AFP, DLNA, etc
- Support multiple people to share devices, independently encrypt storage space
- Support intelligent file viewing, including images, music, videos, documents, etc
- Supports video, movie playback at multiple speeds, and AirPlay screen mirroring
- Supports music single loop, sequential playback, random playback, and background playback
- Supports up to 22TB * 4 SATA hard drives access
- Supports up to 4TB * 2 M.2 NVME SSD hard drive access
- Supports hard drive expansion and non-destructive replacement of large capacity hard drives
- Supports local storage of camera recordings, with a maximum support for 32 channel access
- Efficient heat dissipation structure design, supporting intelligent fan control
- Privatized storage, supporting remote access to local hard drive data at any time

Application scenarios

Suitable for indoor spaces with personal/home, office data local storage needs.

Product highlights

1. Easy to get started, zero threshold to establish a private local database
2. Large storage capacity, centralized management of personal and family member data and information
3. Controllable data, far superior security and privacy compared to public cloud storage and cloud storage
4. Good transmission experience, high local transmission efficiency, and high-speed transmission experience
5. Remote access anytime, anywhere, no need to carry it with you, easy and convenient
6. Master sub account, shared by multiple people, independent space, one device to meet the needs of the whole family

Technical parameter

CPU	
CPU model	Intel ® Alder Lake-N100, 3.40GHz
Core	4 Core 4 Threads
GPU	
GPU	Intel UHD Graphics
GPU execution units	24
GPU main frequency	750 MHz
Maximum video resolution	4K@60Hz
Memory	
Slot	1
Memory capacity	Pre-installed 8GB/16GB, DDR5, HIKSEMI
Memory frequency	4800MHz
Does it support expansion	Replacement, and upgrading
Flash memory	
eMMC capacity	32GB
eMMC specification	153 FBGA, eMMC V5.1, HIKSEMI
eMMC speed	HS400, read up to 280MB/s, write up to 150MB/s
Ethernet port	
LAN port speed	2.5GbE
LAN ports	2
Display screen	
Size	2.86 inches
Resolution	376X960
Other	TFTs with touch support
Atmosphere light	
Type	RGB ambient light, supports app shutdown
Hard drive	
SATA speed	6Gbps
SATA ports	4
Supports hard drive specifications	2.5/3.5-inch HDD or SSD Maximum support for single disk 22T/7200 RPM
Temperature	Working temperature 0 ° C to 40 ° C (32 ° F to 104 ° F)

- 7. Automatically backup phone photo albums, no longer worrying about insufficient phone capacity
- 8. Automatically backup computer files, no longer worrying about insufficient computer capacity

M. 2 interfaces

M. 2 interfaces	2
M.2 speed	Theoretical maximum speed of 16GT/s, 1969.2MB/s
Port Protocol	PCIe 3.0 NVMe
Supports specifications	2280、2260
Special note	Incompatible with B Key and B+M Key SSDs

SSD parameters

Model specifications	HS-SSD-R1
Specifications	M.2 2280
Capacity	1024GB/2048GB
Storage medium	3D NAND
Maximum sequential read speed	1024GB-3525 MB/s 、 2048GB-3300MB/s
Maximum sequential write speed	1024GB-2970 MB/s 、 2048GB-3000 MB/s

Interface

Type C	1 USB3.2 Gen 2 10Gbps
USB	3 USB3.2 Gen 2 10Gbps
HDMI	1 HDMI2.0

Power supply

Power interface	DC JACK
Power supply	12V 10A
Power interface depth	10±0.4mm

Fan

Equipment fan	14 centimeters in diameter
CPU fan	5 centimeters in diameter
Is it a smart fan	Yes

Related accessories

Network cable	2 pieces/CAT. 6
---------------	-----------------

Appearance

Colour	Grey
External material	Aluminum alloy+plastic+glass
Volume (Equipment)	180 mm *191 mm *252 mm
Weight (Equipment)	3.75kg (Empty disk)
Volume (including packaging)	380mmx270mmx255mm
Weight (including packaging)	5.92Kg (Empty disk)

Noise

Sleep noise	23dB (Test data from Hikvision Laboratory)
-------------	--

Humidity	5%~ 95% RH
----------	------------

Image module

File format	jpg、png、ico、gif、bmp、jpeg、heic、rw2、cr2、dng、nef、orf、jfif、jp2、jpe
-------------	--

Music module

File format	mp3、m4a、wav、wma、flac、dff、dsf、ape、dts
Play mode	Single loop, sequential playback, random playback
Background playback	support

Video module

Support file formats	MP4、MOV、AVI、RMVB、MKV、WMV、M4V、FLV、VOB、3gp、rm、ts、m2ts、mpg、webm
Play history	support
Built in subtitles	ass、ssa、srt
External subtitles	ass、ssa、srt
DC-DSP Filter	support
Double speed playback	support
Client screen projection	support DLNA、AirPlay

Document module

File format	TXT、PDF、DOC、DOCX、XLS、XLSX、PPT、PPTX, Support opening third-party mobile apps
-------------	---

Video monitoring

Maximum number of supported cameras	32
Network camera type	Hikvision network camera, fluorite network camera, Onvif protocol, RTSP protocol
Video recording settings	24-hour real-time recording/motion detection recording (requires camera support)

Intelligence plug-ins

Docker container	support
Video monitoring	support
Offline download	support

Other

Warranty service	2 years
Packing list	Network cable * 2, adapter * 1, power AC cable * 1, screwdriver * 1, screw pack * 1, instruction manual * 1

File system

Sharing protocol	SMB、AFP、DLNA
Disk array	BASIC、RAID1、RAID5

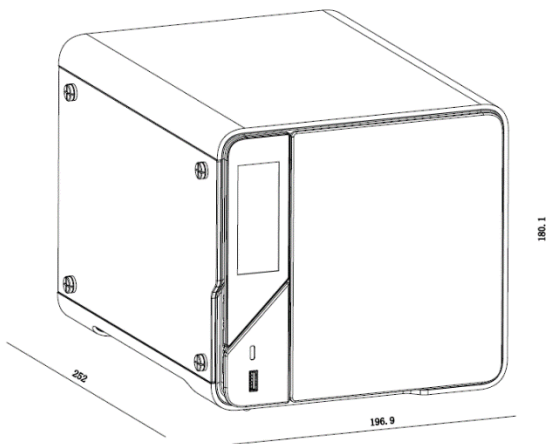
Operating noise	32.45dB(Test data from Hikvision Laboratory)
Work environment	
	Storage temperature -20 ° C to 60 ° C (-5 ° F to 140 ° F)

Disk management	Intelligent sleep, S.M.A.R.T. information detection, abnormal prompts
Hardware encryption	TPM encryption
Software encryption	Key Instruction HTTPS; system information partition encryption processing; suspicious IP interception, etc.

Ordering model

HS-AFS-R1-A

External ons



Revision History

Version	Description	Date
V1.0.0	R1 series	20240711

Data subject to change without notice.

© 2024 HANGZHOU HIKSTORAGE TECHNOLOGY CO.,LTD. All rights reserved.

Unless otherwise expressly stated herein, HIKSTORAGE does not make any warranties, guarantees or representations, express or implied, regarding to the Manual, any information contained herein.

The Manual includes instructions for using and managing the Product. Pictures, charts, images and all other information hereinafter are for description and explanation only. The information contained in the Manual is subject to change, without notice, due to firmware updates or other reasons. Please find the latest version of this Manual at the HIKSTORAGE website (www.hiksemitech.com).