

Explosion proof telephone

KNEx7



IP Telephone Explosion Proof Telephone

DESCRIPTION

- Robust aluminium alloy die-cast body, Vandal & tamper-resistant hardware.
- Waterproof rating IP66 dust proof.
- Full keypad with memory, dialling 10 groups of numbers stored in the memory.
- Magnetic reed hook-switch.
- Heavy Duty handset with hearing Aid compatible receiver, Noise canceling microphone.
- Handset with industrial strong curly cord .
- Stainless Steel keypad keep waterproof and dusty proof.
- Built-in 8ohm 0.5W with flash light
- Door cover: orient automatically and good self - closing, convenient for use.
- Temperature range from -20 degree to +55 degree.
- Powder coated in UV stabilized polyester finish.
- Application: Hazardous dust and gas atmospheres, petrochemical industry, Tunnel, metro, railway, LRT, speedway, marine, ship, offshore, mine, power plant, bridge etc.



SPECIFICATION

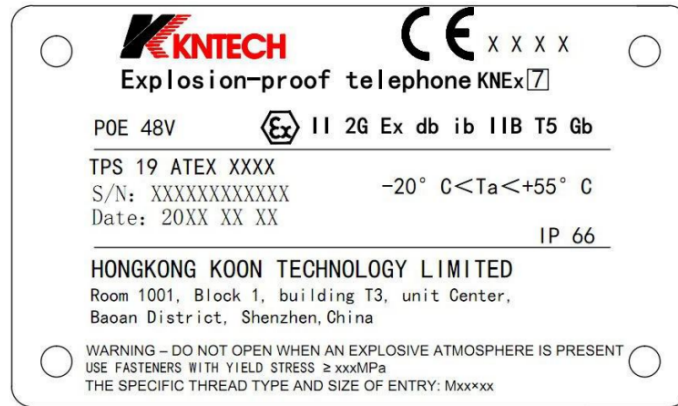
DTMF dialling. VoIP SIP2.0.

Built-in 8ohm 0.5W with flash light.

Telephone line power supply DC 24V-48V.

Support Explosion proof horn 8ohm 15-30W connection. AC 110V or AC 220V Power supply.

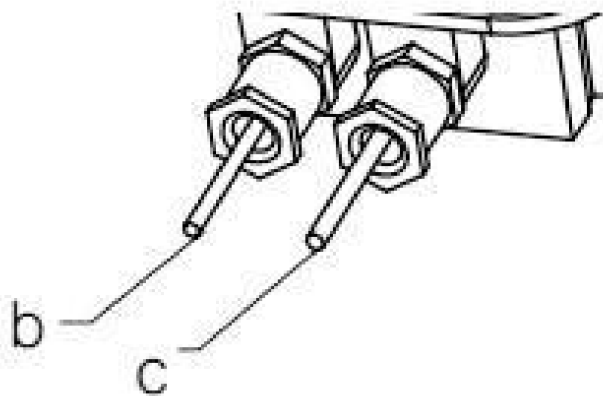
Types of protection	II 2G Ex db ib IIB T5 Gb -20°C to 55°C
MTBF	100000hours
Call Control Signaling	VOIP SIP Info(DTMF), RFC 2833(DTMF)
Power supply	POE Auxiliary
Contacts	1 Aux Output, dry contact Contact Ratings.
Sound level of ringing	Construction robust aluminium alloy die-cast body
Load	Resistive load
Rated load	0.3 A at 125 VAC; 1 A at 30 VDC
Rated carry current	1A
Max. switching voltage	125 VAC, 30VDC
Max. switching current	1A
Sound level of ringing	over 90dB(A). At 50cm distance.
Speed dialing keypad	Super strong function is available for dialing 3 groups of numbers stored in the memory
Audio Codes	G.711, G.722, G.729
IP Protocols	IPv4, UDP, DHCP, SIP
LAN Protocols	Power over Ethernet (PoE, 802.3af) Network Access Control (IEEE802.1x), HTTP, HTTPS, SIP2.0
Programming	Non-volatile flash memory programming and configuration through WebGUI
Management and Operation	DHCP and static IP, remote automatic software upgrade, centralized monitoring.
Echo cancellation code	G.167/G.168
Housing	construction robust aluminium alloy die-cast body
Unit size	278*349*161mm
Weight	10.65kg
Environment conditions	Ambient temperature: -20°C to 55°C. Relative humidity: 10%~95% Atmospheric pressure: 86~106Kpa Circumstance noise: less than 60dB(A) Degree of protection: IP66



KNTECH's Partners



INTERFACE CONNECTION SCHEMATIC DIAGRAM



b : Network cable above cat 5

c : Headset and D20 ringtone 8ohm 0.5W and LED DC5V/0.75W and explosion proof horn connection cable(option:8-core wire)

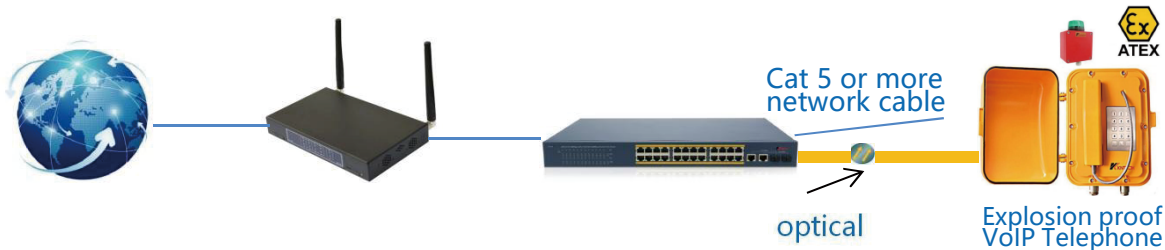
USER PROGRAMMING

pick up the Handset, press the keyboard
storage key+address key (digital 0 --- 9) +phone number+storage key, and then hang up.

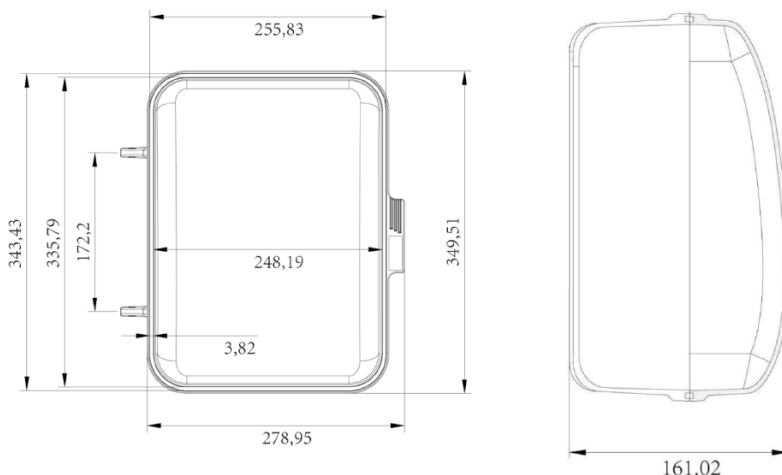


NETWORK CONNECTION

Connect the IP machine to the company's IP telephony network system. Before connecting to the network, check whether the network system is working properly. Direct network connection - In this way, you need at least one Ethernet port in your work place. Connect the LAN port to the Ethernet port of your workspace using the Ethernet cable on the back of the phone.



SIZE



All Dimensions are in mm